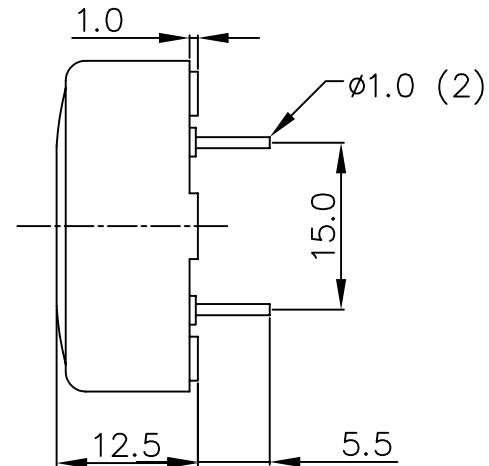
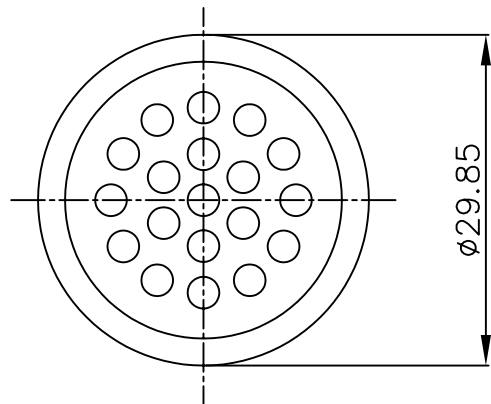


THIS DOCUMENT CONTAINS DATA PROPRIETARY TO PROJECTS UNLIMITED, INC. ANY USE OR REPRODUCTION, IN ANY FORM, WITHOUT PRIOR WRITTEN PERMISSION OF PROJECTS UNLIMITED, INC. IS PROHIBITED.
© 2003, Projects Unlimited Inc.

SPECIFICATIONS


PARAMETERS	VALUES	UNITS
RATED INPUT POWER	0.15	W
MAX INPUT POWER	0.20	W
IMPEDANCE	8±20%	OHM
OUTPUT SPL @ 0.1W/0.5M (AT 1.0, 1.2, 1.4, 1.6 kHz)	72±3	dB
DISTORTION	7%	-
RESONANT FREQUENCY	1,400±20%	Hz
FREQUENCY RANGE	500 ~ 20,000	Hz
HOUSING MATERIAL	NORYL	-
CONE MATERIAL	MYLAR	-
MAGNET MATERIAL	Nd-Fe-B	-
OPERATING TEMPERATURE	-40 ~ +70	°C
WEIGHT	10	grams

REVISIONS			
LTR	DESCRIPTION	DATE	APPROVED
-	RELEASED FROM ENGINEERING	6/9/04	
A	ADDED LEAD FREE NOTE	9/22/04	R. W.
B	REMOVED LEAD FREE ADDED RoHS NOTE	8/10/05	R. W.



NOTES:

1. ALL DIMENSIONS ARE IN MILLIMETERS.
2. SPECIFICATION SUBJECT TO CHANGE OR WITHDRAWAL WITHOUT NOTICE.
3. PIN IS TIN-PLATED RED COPPER.
4. THIS PART IS RoHS 2002/95/EC COMPLIANT.

UNLESS OTHERWISE SPECIFIED: DIMENSIONS ARE IN MILLIMETERS, TOLERANCES ARE ±0.5 AND ANGLES ARE ±3°.		 projects® unlimited Dayton, Ohio	
APPROVALS DRAWN <i>R.A.C.</i> 6/04 APPROVED <i>R.W.</i> 6/04		SPEAKER TRANSDUCER AST-03008MR-R	
FILE NAME AST-03008MR-R.DWG		SIZE A	DRAWING NO. AST-03008MR-R
DO NOT SCALE DRAWING		SCALE: N.T.S.	SHEET 1 OF 1